

CONTENTS

- Model 12 Tone Generator
- Model 15 Probe
- User Guide
- RJ-45 Patch Cable
- RJ-45 to Alligator Clips Adapter
- Carrying Case
- Batteries

Optional

- RJ-45 to BNC and BNC to F Adapters
- RJ-45 to Bed of Nails Alligators Clips Adapter

BATTERY

Each unit uses one 9 volt alkaline battery.

BATTERY INSTALLATION

Remove the battery cover on the back of the unit, connect the battery to the battery snap cable, insert the battery in the battery well and replace the battery cover

OVERVIEW

The CableTracker Ultra High Power Tone and Probe Kit (CTK1215) is used to identify cables and terminations.

1. The CT12 Tone Generator transmits a trace tone on a connected cable which is detected with the CableTracker Probe (CT15).
2. When the CT15 Probe is near the connected cable pair or punchdown, it indicates detection by emitting the audio signal transmitted by the CT12 Tone Generator.
3. The CT12 Continuity test utilizes a bi-colored LED to indicate resistance between the test leads. The test displays Opens, Shorts and High Resistance Short.

WARRANTY

Psiber Data Systems Inc. warrants that the product shall be free from defects in parts or workmanship for a period of 12 months from the date of purchase if used in accordance with Psiber Data Systems Inc. operating specifications.

THIS IS THE ONLY WARRANTY MADE BY Psiber Data Systems Inc. AND IS EXPRESSLY MADE IN LIEU OF ALL OTHER WARRANTIES EXPRESSED OR IMPLIED, INCLUDING BUT NOT LIMITED TO ANY IMPLIED WARRANTIES OF MERCHANTABILITY OR FITNESS FOR ANY PARTICULAR PURPOSE.

Should any parts or workmanship prove defective, Psiber Data Systems Inc. will repair or replace at Psiber Data Systems' option, at no cost to the Buyer except for shipping costs from the Buyer's location to Psiber Data Systems Inc. This is Buyer's SOLE AND EXCLUSIVE REMEDY under this Agreement. This warranty does not apply to products which have been subject to neglect, accident or improper use, or to units which have been altered or repaired by other than an authorized repair facility. Return of Equipment to Psiber Data Systems Inc.,

Simply obtain a Return Authorization number from our Customer Service by calling 619-287-9970. Clearly mark the RMA# on the shipping label, so the package can be accepted at Psiber Data Systems Inc.

Send To: Psiber Data Systems Inc.
7075-K Mission Gorge Road
San Diego, CA 92120
RMA# XXXXXXXX

USER GUIDE CableTracker CTK1215



CONNECTION

Connect the CT12 Tone Generator directly to an RJ-45 or RJ-11 terminated cable; or an RJ-45 wall outlet using the RJ-45 Patch Cable; or bare wire by connecting the RJ-45 to Alligator Clips Adapter. The CT12 transmits an alternating tone signal through the connected cable.

CABLE TRACING

Connect the CT12 Tone Generator to a cable or outlet, select either "Auto" or "On" and turn on the CT15 Probe by pressing and holding the button. Place the probe tip near the cable or termination to be identified and the Probe emits an audible signal. The audible signal is loudest when the Probe is near the correct cable or termination point. The volume can be adjusted by rotating the thumb wheel located above the button. A light from the light pipe indicates that the unit is on and the battery has adequate voltage.

OPERATION

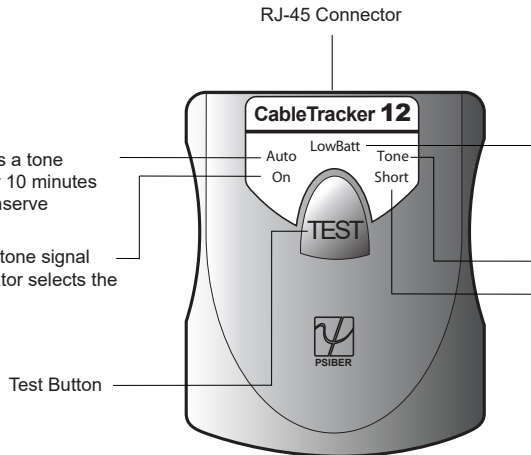
The CT12 Tone Generator features one button operation. Each press of the TEST button advances the operating mode of the unit. The modes are selected in the following order:

1. Auto/Tone - Alternating tone will automatically turn off after approximately 10 minutes.
2. On/Tone - Alternating tone will not turn off until the test button is pressed again.
3. Auto/Short - Continuity test indicates the resistance between the test leads. LED Color Resistance:
Green (Open) $R \geq 300K\Omega$
Orange (High Resistance Short) $5K\Omega < R < 300K\Omega$
Red (Short) $R \leq 5K\Omega$
3. Off - No signal transmitted.

The CT15 Probe also features one button operation. Press and hold the TEST button and ensure the green LED is illuminated. When the non-conductive probe tip is near a cable or termination connected to the tone generator, the CT15 transmits an audible sound that matches the received signal.

AUTO - The CT12 transmits a tone signal or tests continuity for 10 minutes and then shuts down to conserve battery life.

On - The CT12 transmits a tone signal continuously until the operator selects the test button again.

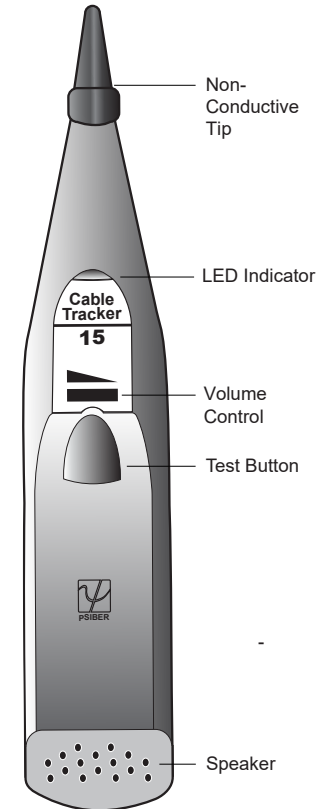


Low Battery Indicator

Low Battery - When the battery is below the level required for the CT12 to operate properly, the "LowBatt" indicator illuminates.

Tone - The CT12 transmits a tone signal.

Short - Continuity test indicates the resistance between the test leads.



CableTracker, PSIBER and the PSIBER logo are trademarks of Psiber Data Systems Inc. Copyright 2015 Psiber Data Systems Inc. All rights reserved.

Part No. 1005-1215-0000 Rev B

 **PSIBER**